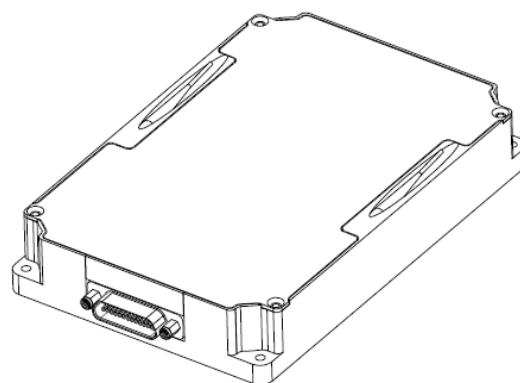


# ERBIUM DOPED FIBER AMPLIFIER

## Space Qualified EDFA

Model Number: **EDFA-CW-C0-VRS-30-30-FCA**

Product Code: **1605**



**Specifications:**

**Doc#: NP-TS-2562, Nov 29, 2023**

Parameters	Specifications
Wavelength Range	1540 – 1565 nm
Input Power	-10 to +10 dBm
Input Power Monitoring	Included
Gain	30 dB nominal @ 0 dBm input
Signal Output Power	+30 dBm nominal @ 0 dBm input
Input Power Monitoring	-10 to +10 dBm
Output Power Monitoring	+10 dBm to +30 dBm
Input / Output Fiber	SMF-28, 1m length typical
Input / Output Optical Connector	FC/APC
Input / Output Isolator	Provided
Dimension	120 x 80 x 20 mm
DC Power Input	+5 VDC +/- 5%
DC Power Consumption	≤ 14 W @ +50°C Case Temperature, output power +30 dBm
Operating Temperature	-10 to +55 °C, vacuum operation, ≤ 7.5 x 10 <sup>-5</sup> torr (by design)
Control and Communication	RS-232

*Ordering Information:*



800 Village Walk #316  
 Guilford, CT 06437  
 Ph: 203-401-8093

Email orders to: [sales@xsoptix.com](mailto:sales@xsoptix.com)  
 Fax orders to: 800-878-7282