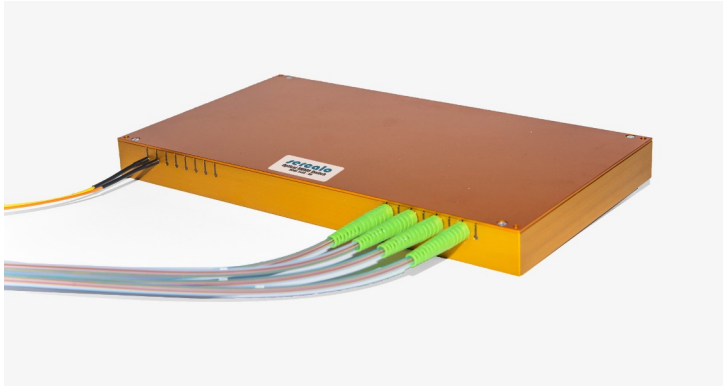


Ordering Information:



800 Village Walk #316
 Guilford, CT 06437
 Ph: 203-401-8093

Email orders to: sales@xsoptix.com
 Fax orders to: 800-878-7282



SCBU FIBER OPTIC SWITCH

Customizable fiber optic solution

OVERVIEW

Sercalo's fiber optic SCBU NxM switches are bidirectional opto-mechanical switches based on coaxial design where a matrix of MEMS mirrors redirects light from N inputs to M outputs. The optical networks can be based on a strictly non-blocking matrix (from 4x4 up to 16x16 ports) or on a tree structure (up to 1x1116 ports).

The miniature package withstands rugged environments and is well suited for direct mounting on printed circuit boards.

The underlying MEMS technology results in low insertion loss and low crosstalk between channels while keeping a constant switching performance over life. The hermetically sealed MEMS and the laser welded collimators guarantee broad temperature range and superior long term stability. The part is designed to conform to Telcordia 1221 reliability standards. No epoxy is present in the optical path.

FEATURES

- Fast switching time
- Low insertion loss
- Up to 16x16 or 1x1116 optical ports
- Compact design
- UART, I²C/SMBus and USB interfaces
- Custom networks available on request
- RoHS compliant

APPLICATIONS

- Optical network reconfiguration
- Optical network protection and restoration
- Instrumentation
- Test and measurement

Contact:

Sercalo Microtechnology Ltd.
 Landstrasse 151, FL 9494 Schaan
 Principality of Liechtenstein
 Tel. +423 237 57 97 Fax. +423 237 57 48
www.sercalo.com Email: info@sercalo.com

ORDERING INFORMATION



Switch type:
 SCBU
 1250–
 1670 nm

Network:
 4x4, 8x8,
 16x16 (matrix)
 or from 1x2
 up to 1x1116
 (tree)

Fiber type
 9 = SMF28ULTRA
 7 = SM980 for 1050nm
 4 = SM400 for 630nm
*Other fiber types and
 wavelengths upon request*

Fiber sleeve type:
 B = 250 μm bare fibers
 R = 8-fibers or 12-fibers
 ribbon with 250 μm
 acrylate coating
 N = 900 μm sleeve

Pigtail length
 Expressed in
 decimeters
 e.g.:
 05 = 50 cm
 10 = 100 cm

Connectors type:
 none = no connectors
 FP = FC-PC
 FA = FC-APC narrow key
 LP = LC-PC
 LA = LC-APC
 SP = SC-PC
 SA = SC-APC



DESCRIPTION

Sercalo's SCBU fiber optic switches are based on a strictly non-blocking bidirectional architecture. An additional status where the channels are disconnected is available. The switch is non latching: at power-off it breaks the optical connection and routing of ports is not defined. The component is bidirectional, i.e. the common port can be used as input or output of the light signal.

TECHNICAL SPECIFICATIONS for Single mode fiber

		<i>Unit</i>	<i>Min</i>	<i>Typ</i>	<i>Max</i>
Optical Specifications					
Wavelength range		nm	1250		1670
Insertion loss (matrix) ¹	4x4	dB		0.8	2.0
	8x8, 16x16	dB		1.6	3.0
Insertion loss (tree) ¹	1x16	dB		0.8	1.2
	1x36	dB		1.2	2.0
	1x72	dB		1.6	3.0
	1x540	dB		2.2	3.5
	1x1116	dB		2.4	4.0
Crosstalk		dB	50	60	
Polarisation dependent loss		dB		0.1	0.18
Return loss		dB	50	55	
Wavelength dep. loss (one band)		dB			0.2
Wavelength dep. loss (1250-1670 nm)		dB		0.5	1.0
Temperature dependent loss		dB			0.2
Maximum optical power level ²		mW			500
Switching time		ms		5	10
Cycle rate		Hz		1	20
Repeatability ³		dB			0.01
Durability		cycles	No wear out		
Electrical Specifications					
Supply voltage		V	4.75	5	5.25
Power consumption (each submodule), normal mode		mW			150
Power consumption (total), standby		mW		40	
UART speed		baud	9600		115200
SMBus/I ² C bus speed		kbps			400
Logic level low		V		0	0.6
Logic level high		V	2.4	5	
Reset inactive voltage ⁴		V	2.4	5	
Reset active voltage		V		0	0.9
Reset pulse duration		ms	15		
Package					
Operation temperature		°C	-10		70
Storage temperature		°C	-40		85
Operation humidity (non condensing)		% r.h.	0		95
Pigtail length		cm	50		100
Dimensions	small size	mm	72 x 140 x 16		
	medium size	mm	100 x 180 x 16		
	large size	mm	185 x 180 x 16		
RoHS Compliance			2015/863/EU (no exceptions)		

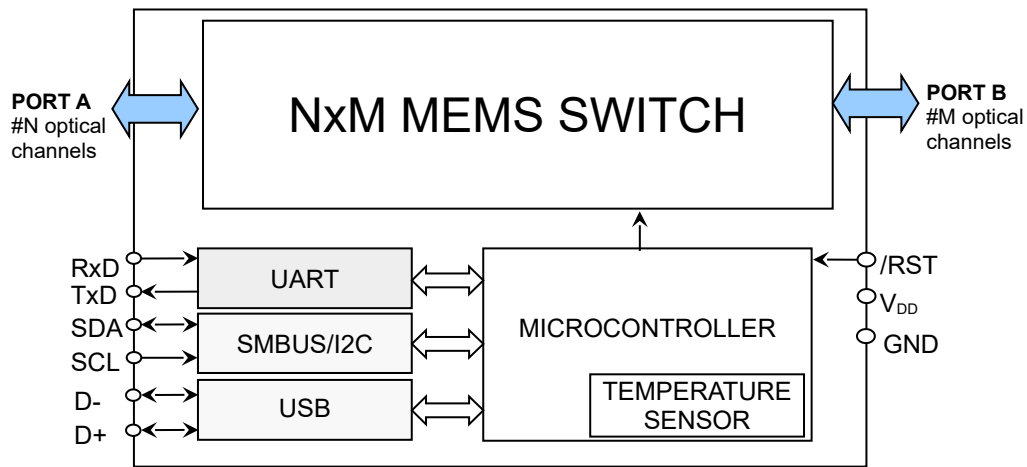
¹ Values at 1550nm or 1310nm at 25 °C, without connectors. ² It is recommended to turn off the laser during switch transients when switching optical power above 100 mW. ³ For constant temperature and polarization.

⁴ Through onboard pull-up resistor.

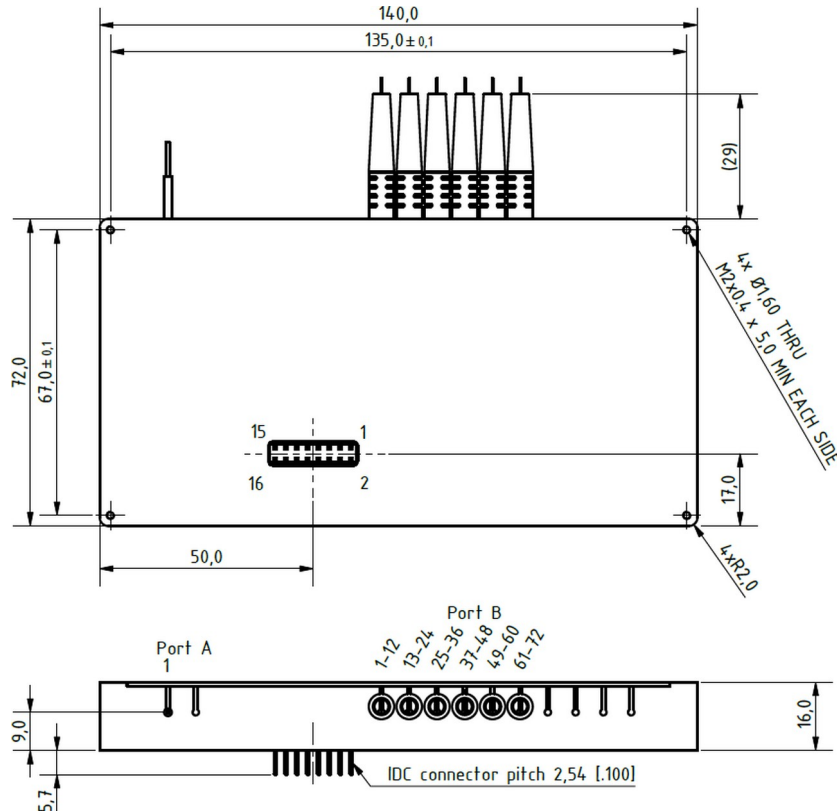
CONNECTOR PINOUT

Pin number	Description	Pin number	Description
1	Ground (GND)	9	Supply voltage (V _{DD})
2	SMBus/I ² C SCL	10	Ground (GND)
3	SMBus/I ² C SDA	11	Reserved
4	System reset (/RST)	12	USB D-
5	UART RX data	13	Reserved
6	Reserved	14	USB D+
7	UART TX data	15	Reserved
8	Reserved	16	Reserved

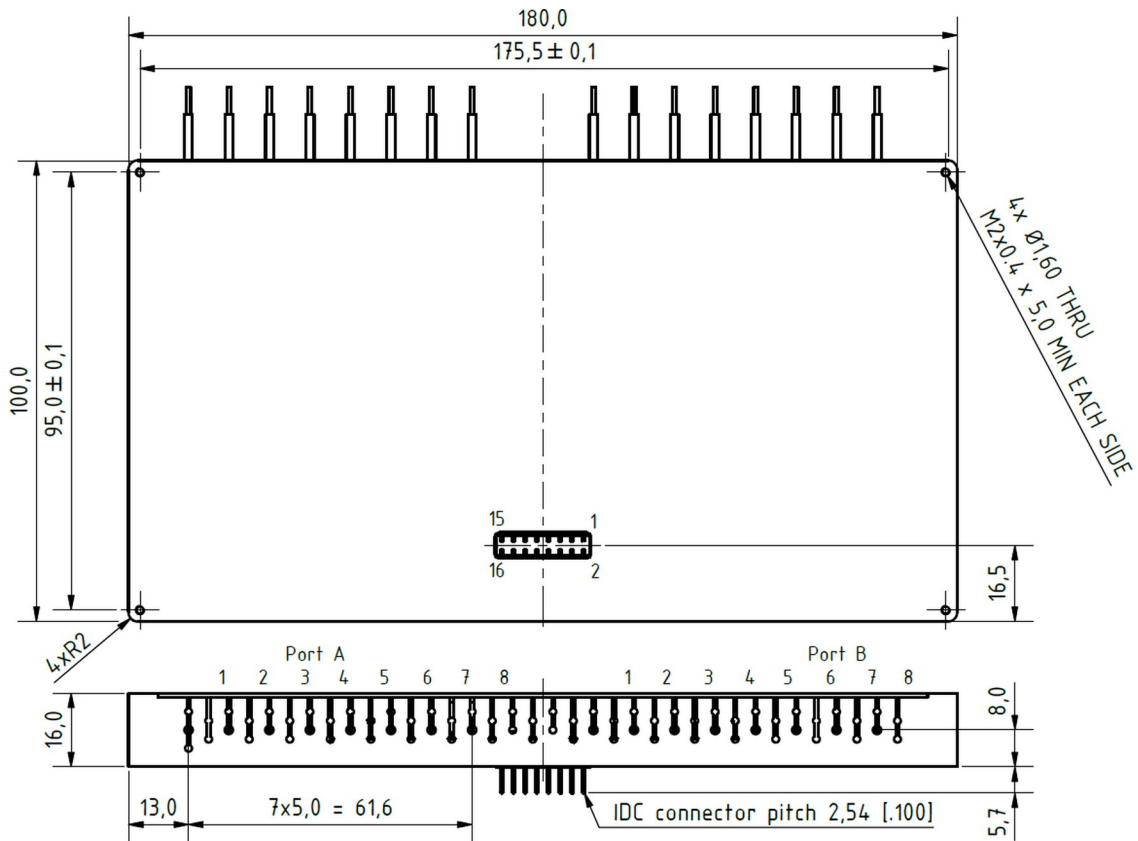
FUNCTIONAL BLOC DIAGRAM



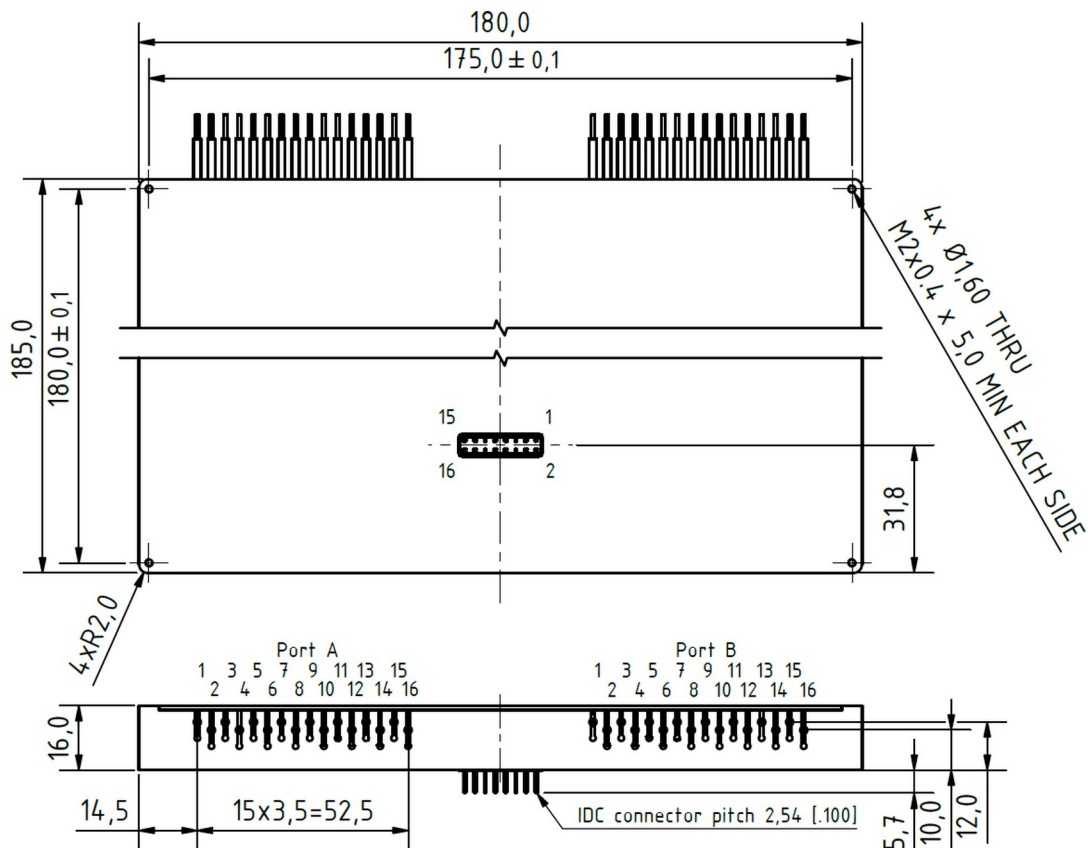
DIMENSIONS SCBU small size (example 1x72 switch)



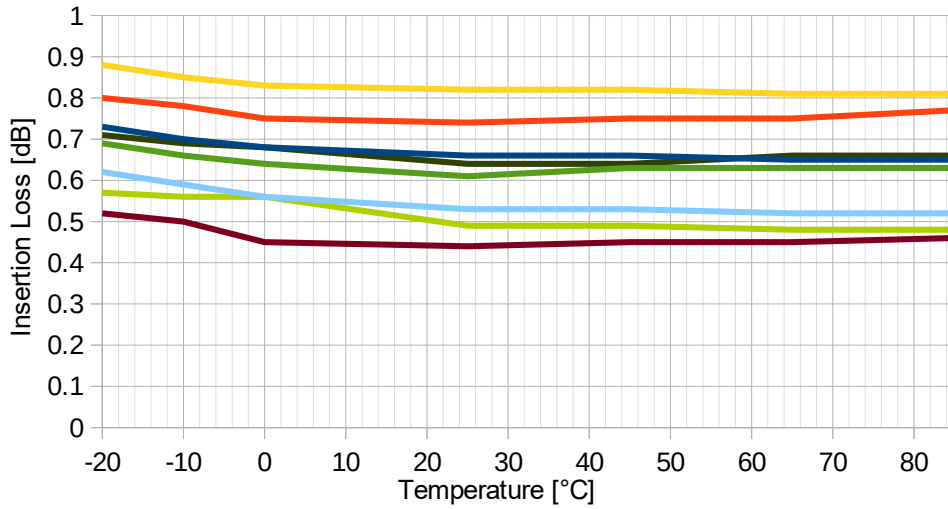
DIMENSIONS SCBU medium size (example 8x8 matrix network)



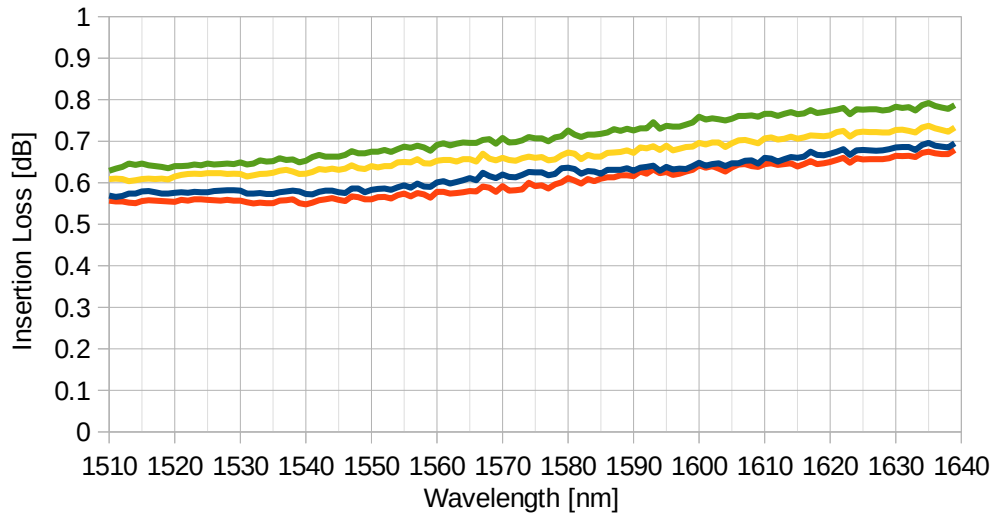
DIMENSIONS SCBU large size (example 16x16 matrix network)



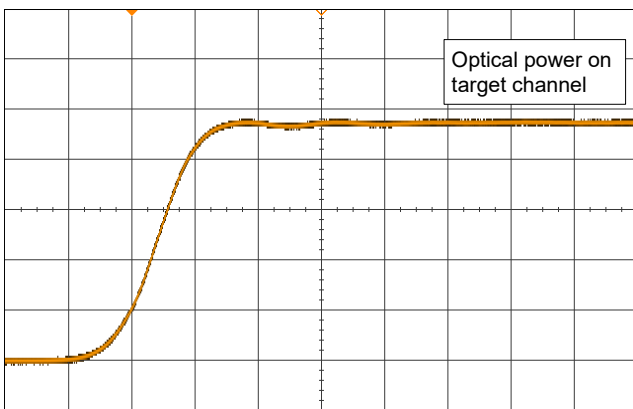
INSERTION LOSS vs. TEMPERATURE (SCBU 1x8)



WAVELENGTH DEPENDENT LOSS (SCBU 1x4)

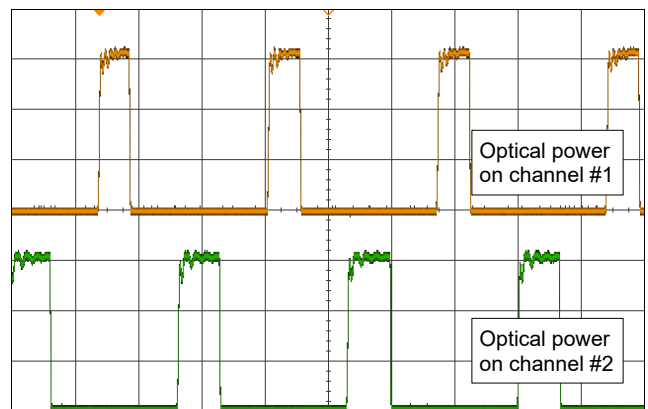


OPTICAL RESPONSE TIME



500 μ s/div

CONTINUOUS SWITCH OPERATION



10 ms/div