

EYP-MNT-0000-00000-0000-CRM14-0000

Revision 0.93

05.12.2018

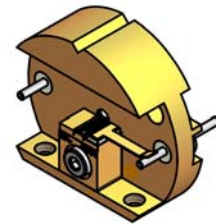
CR-MOUNT Adapter Mount

General Product Information

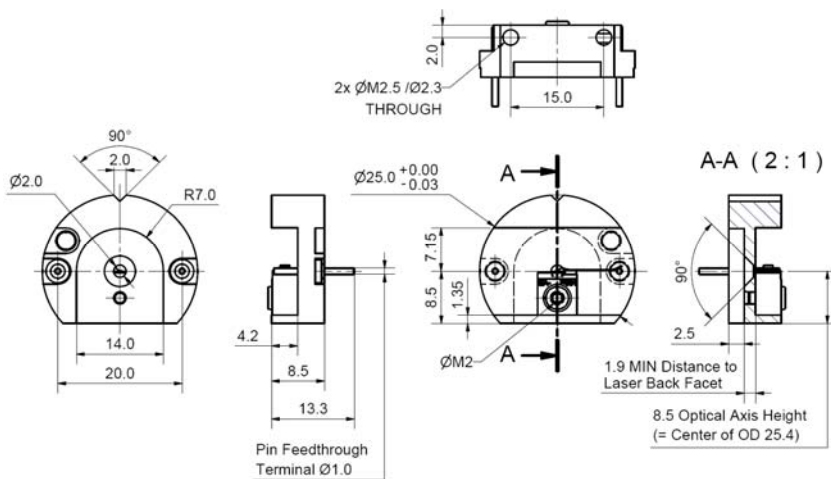
Product

Adapter Mount for eagleyard's Tapered Amplifier and other Laser Diodes on C Mount

- fits with all eagleyard products with part number EYP-xxx-xxxx-xxxxx-xxxx-CMT0x-xxxx
- enables stable assembly with good thermal conduction
- usable in optical cage systems (Ø1") bringing the optical axis into the center of the system
- also mountable on top of other devices (e.g. heat sink) due to a plane baseplate
- wide recess of the mount allows use of lenses with short focal length
- additional pin for devices with multi segmented contacts is available on request



Package Drawings



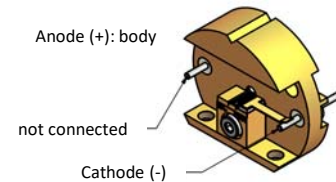
Z12-SPEC-CRT04-TPA-0001

Ordering and Assembly Information

The CR Mount is an additional mount for eagleyard's lasers and tapered amplifiers that are assembled on a C-Mount. The order does not include the assembly of a laser or a tapered amplifier. If you wish to receive this CR-Mount with integration of one of eagleyard's lasers or tapered amplifiers, please look at the option EYP-MNT-0000-00000-0000-CRM14-0001.

The use of soldering flux should be avoided because it can damage the facets of the chip.

Pin Assignment



mounting proposal - laser component not included
laser component offered separately

Ordering Information:



800 Village Walk #316
Guilford, CT 06437
Ph: 203-401-8093

Email orders to: sales@xsoptix.com
Fax orders to: 800-878-7282