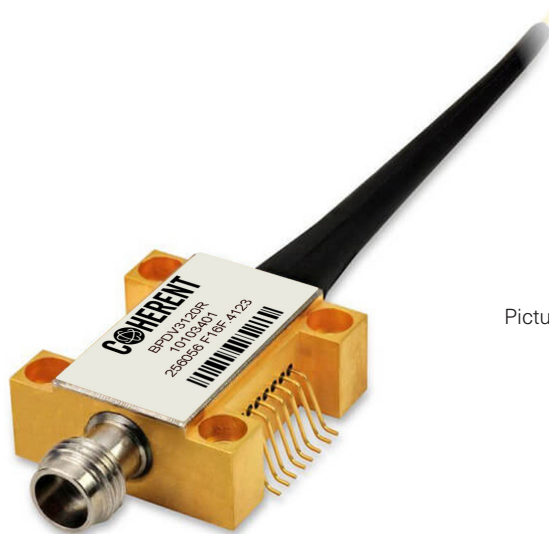


70 GHz BALANCED PHOTODETECTOR

BPDV3x20Rv

The BPDV3x20Rv consists of two optimized 70 GHz waveguide-integrated photodiodes on a single chip that show an extremely flat frequency response, both in power and in phase. Coherent's on-chip integrated bias network with an optimized RF design ensures an undisturbed frequency response from DC to the 3 dB cut-off frequency and saves costs for an external bias tee. The hermetic module is especially designed for use in the optical window at 1550 nm and optimal RF performance. The pulse response reveals virtually no ringing. A dual window version supports use in O- and C-band. Tailored configurations are available, such as BPDV dual pair and quad sets, including connector customization and fiber-matching to enable coherent detection.



Picture shows product example, actual product might differ

FEATURES

- High 3 dB bandwidth of 70 GHz
- Optical window at 1550 nm or dual band
- Excellent linearity
- High responsivity of 0.6 A/W
- Low PDL of 0.4 dB

APPLICATIONS

- Optical Communication systems
- Advanced component R&D

Ordering Information:



800 Village Walk #316
Guilford, CT 06437
Ph: 203-401-8093

Email orders to: sales@xsoptix.com
Fax orders to: 800-878-7282

COHERENT

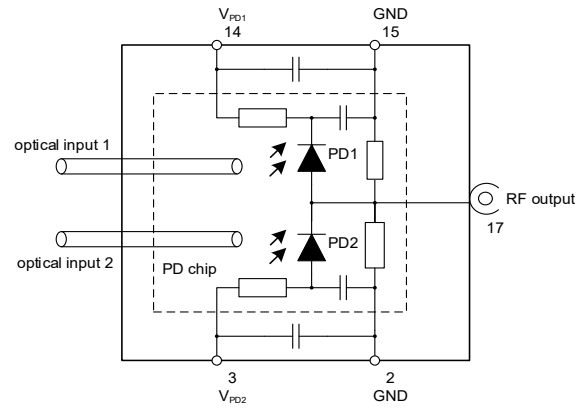
70 GHz BALANCED PHOTODETECTOR

Product Selection

BPDV3x20Rv -Vy-zz

x	1	= C-band version
	3	= Dual window version (C- and O-band)
v	M	= Matched pair 10 ps skew
	Q	= Quadset skew 10 ps
y	VF	= Female V® connector
	VM	= Male V® connector
zz	FP	= FC/PC connector (standard)
	FA	= FC/APC connector

Block Diagram



Key Specifications

Parameter	Symbol	Condition	Min.	Typ.	Max.	Unit
Operating Case Temperature	T_{CASE}		0		75	°C
Storage Temperature	T_{STORE}		-40		85	°C
Wavelength Range	λ	O-band C-band		1310 1550		nm
Photodiode Supply Voltage	V_{PD}			3.3 -3.3		V
Average Optical Input Power	P_{OPT_avg}				13	dBm
Photodiode DC Responsivity	R	C-band		0.6		A/W
Polarization-Dependent Loss	PDL	C-band		0.4		
Imbalance of Responsivity	Imb	$Imb = 10 \cdot \log_{10}(R_{PD1}/R_{PD2}) $		0.15		dB
Photodiode Dark Current	I_{DARK}	$T_{CASE} = 25\text{ °C}$		5		nA
3 dB Cut-off Frequency	f_{3dB}	C-band		69		GHz
Output Reflection Coefficient	S_{22}				-1.5	dB
Skew					2	ps

