

DRIVER

DR-AN-40-MO

40 GHz Analog Medium Output Voltage Driver

The DR-AN-40-MO is a wideband RF non-inverting amplifier module designed for analog applications at frequencies up to 40 GHz.

The DR-AN-40-MO is characterized by a low Noise Figure and a linear transfer function whose 1 dB compression point is above 17 dBm. It exhibits flat Group Delay and Gain curves with reduced ripple over the entire bandwidth.

The DR-AN-40-MO operates from a single power supply for safety and ease of use, and offers gain control over 3 dB. It comes in a compact housing with V type RF connectors and with an optional heat-sink.

This amplifier module is ideally suited to drive optical modulators for analog applications.



Features

- Output voltage up to $6 V_{pp}$
- Linear amplifier
- Flat gain up to 30 GHz
- Single voltage power supply
- Low group delay variation

Applications

- LiNbO₃ & InP modulators
- OFDM, RoF, phase modulation
- Research & Development

Options

- Heat-sink
- Low output voltage version for EAM

Related Equipments

- MX-LN-40, MXAN-LN-40 modulators
- MBC-AN Automatic Bias Controllers

Performance Highlights

Parameter	Min	Typ	Max	Unit
Cut-off frequencies	50 k	-	40 G	Hz
Output voltage	-	-	6.3	V_{pp}
Gain	-	26	-	dB
Saturated output power	-	-	20	dBm
Output power 1 dB comp	15	17	-	dB
Noise figure	3	-	5	dB

Measurements for $V_{bias} = 8 V$, $V_{amp} = 1.5 V$, $V_{xp} = 2.2 V$, $I_{bias} = 300 mA$

Ordering Information:



800 Village Walk #316
Guilford, CT 06437
Ph: 203-401-8093

Email orders to: sales@xsoptix.com
Fax orders to: 800-878-7282

DR-AN-40-MO

40 GHz Analog Medium Output Voltage Driver

DC Electrical Characteristics

Parameter	Symbol	Min	Typ	Max	Unit
Supply voltage (fixed)	V_{bias}	7	8	9	V
Current consumption	I_{bias}	-	300	350	mA
Gain control voltage	V_{amp}	0	1.5	1.7	V
Cross point control Voltage	V_{xp}	0	2.2	2.3	V

Electrical Characteristics

Parameter	Symbol	Condition	Min	Typ	Max	Unit
Lower frequency	$f_{3db, lower}$	-3 dB point	-	-	50	kHz
Upper frequency	$f_{3db, upper}$	-3 dB point	36	40	-	GHz
Gain	S_{21}	Small signal	-	26	-	dB
Gain ripple	-	< 40 GHz	-	± 1.5	-	dB
Input return loss	S_{11}	50 MHz < f < 30 GHz	-	-10	-	dB
Output return loss	S_{22}	50 MHz < f < 30 GHz	-	-10	-	dB
Isolation	S_{12}	50 MHz < f < 30 GHz	-	-60	-	dB
Output power 1 dB	P_{1dB}	2 GHz < f < 20 GHz	15	17	-	dBm
Saturated power	P_{sat}	f < 20 GHz	-	20	-	dBm
Output voltage	V_{out}	Linear	0	4.5	-	V_{pp}
		Maximum swing	0	6.3	-	
Noise figure	NF	f < 1 GHz	5	-	-	dB
		1 GHz < f < 26 GHz	3	-	5	
Power dissipation	P	-	-	2.4	3.2	W

Absolute Maximum Ratings

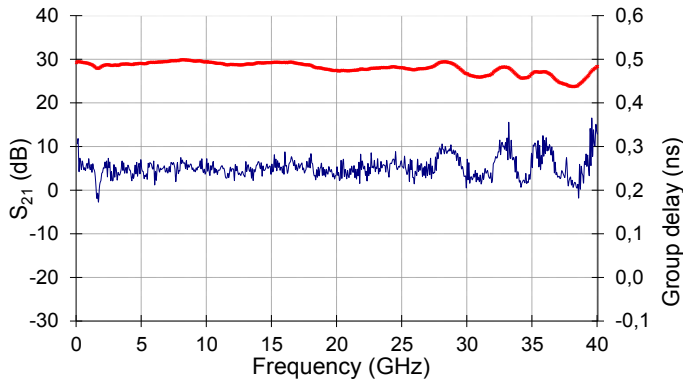
Stresses in excess of the absolute maximum ratings can cause permanent damage to the device. These are absolute stress ratings only. Functional operation of the device is not implied at these or any other conditions in excess of those given in the operational sections of the data sheet. Exposure to absolute maximum ratings for extended periods can adversely affect device reliability.

Parameter	Symbol	Min	Max	Unit
RF input voltage	V_{in}	-	0.63	V_{pp}
Supply voltage	V_{bias}	0	9	V
DC current	I_{bias}	0	350	mA
Gain control voltage	V_{amp}	0	1.7	V
Output power control voltage	V_{xp}	0	2.3	V
Power dissipation	P_{diss}	-	3.2	W
Operating temperature	T_{op}	0	+40	°C
Storage temperature	T_{st}	-20	+70	°C

DR-AN-40-MO

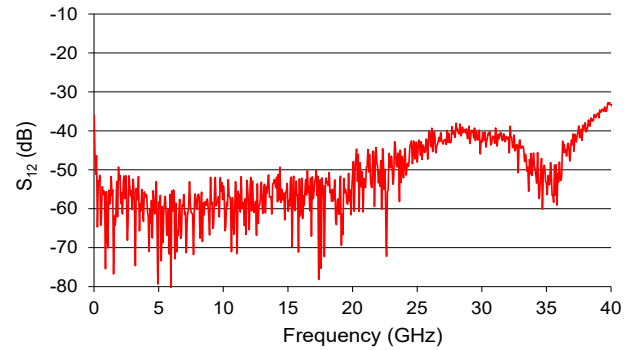
S_{21} and Group Delay Parameter Curves

Conditions: $V_{bias} = 8\text{ V}$, $V_{amp} = 1.5\text{ V}$, $V_{xp} = 2.2\text{ V}$, $I_{bias} = 300\text{ mA}$



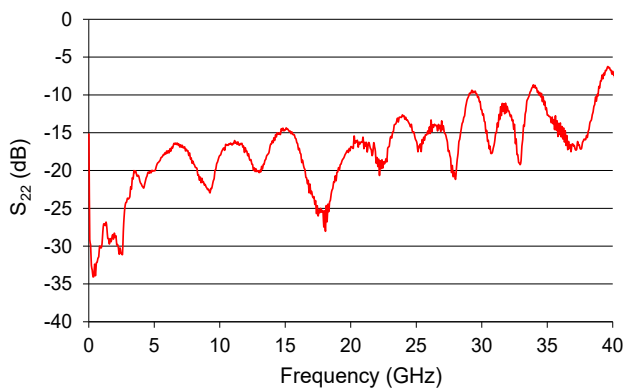
S_{12} Parameter Curve

Conditions: $V_{bias} = 8\text{ V}$, $V_{amp} = 1.5\text{ V}$, $V_{xp} = 2.2\text{ V}$, $I_{bias} = 300\text{ mA}$



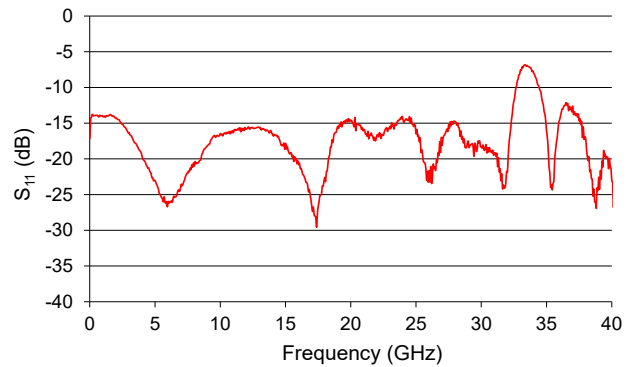
S_{22} Parameter Curve

Conditions: $V_{bias} = 8\text{ V}$, $V_{amp} = 1.5\text{ V}$, $V_{xp} = 2.2\text{ V}$, $I_{bias} = 300\text{ mA}$



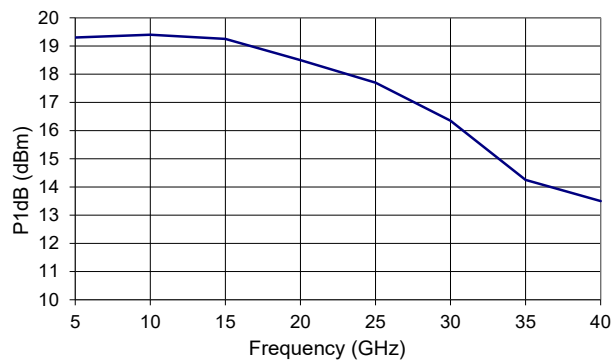
S_{11} Parameter Curve

Conditions: $V_{bias} = 8\text{ V}$, $V_{amp} = 1.5\text{ V}$, $V_{xp} = 2.2\text{ V}$, $I_{bias} = 300\text{ mA}$



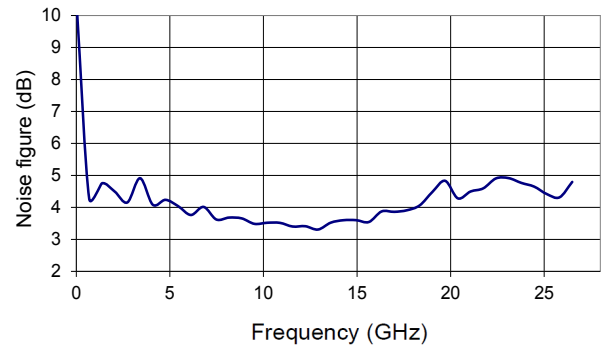
Saturated Output Power Curve

Conditions: $V_{bias} = 8\text{ V}$, $V_{amp} = 1.5\text{ V}$, $V_{xp} = 2.2\text{ V}$, $I_{bias} = 300\text{ mA}$

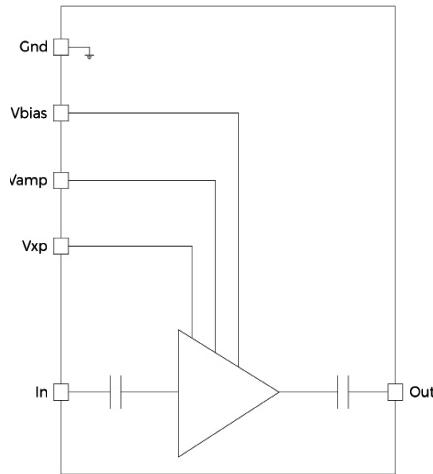


Noise Figure Curve

Conditions: $V_{bias} = 8\text{ V}$, $V_{amp} = 1.5\text{ V}$, $V_{xp} = 2.2\text{ V}$, $I_{bias} = 300\text{ mA}$

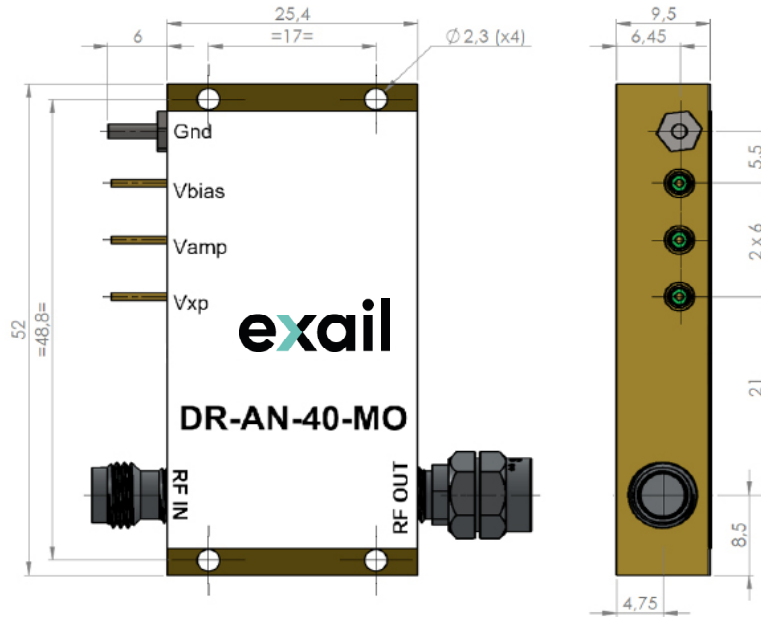


Electrical Schematic Diagram



Mechanical Diagram and Pinout

All measurements in mm



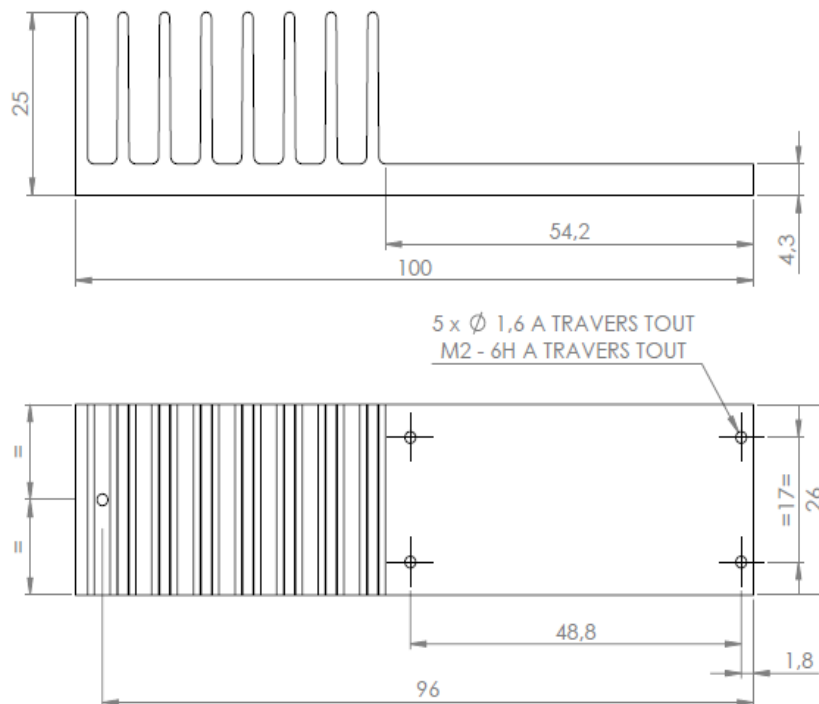
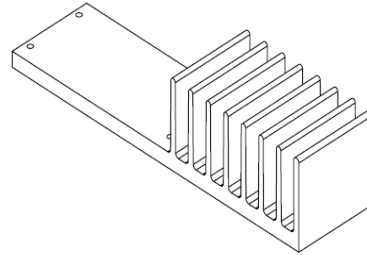
The heat-sinking of the module is necessary. It's user responsibility to use an adequate heat-sink. Refer to page 5 for Exail recommended heat-sink.

Port	Function	Unit
IN	RF In	Female V connector
OUT	RF Out	Male V connector
V_{bias}	Power supply voltage	Set a typical operating specification
V_{amp}	Output voltage amplitude adjustment	Adjust for gain control tuning
V_{xp}	Output power adjustment	Adjust for power tuning

DRIVER | DR-AN-40-MO | 5/5

Mechanical Diagram and Pinout with HS-MO4 Heat-sink

All measurements in mm



About us

Exail Photonics produces specialty optical fibers and Bragg gratings based fiber optics components and provides optical modulation solutions based on the company lithium niobate (LiNbO₃) modulators and RF electronic modules.

Exail Photonics serves a wide range of industries: sensing and instruments, defense, telecommunications, space and fiber lasers as well as research laboratories all over the world.

Exail reserves the right to change, at any time and without notice, the specifications, design, function or form of its products described herein. All statements, specification, technical information related to the products herein are given in good faith and based upon information believed to be reliable and accurate at the moment of printing. **However, Exail provides no warranty (whether express or implied or statutory) as to the description, sufficiency, accuracy or completeness, merchantability or fitness for a particular purpose of any information or specification detailed herein.** No liability is assumed for any inaccuracies and/or as a result of use of the products. The user must validate all parameters for each application before any use and he shall assume all risks and responsibilities in connection with the use of the products.