



The ModBox-VNA-850nm-40GHz is a wide bandwidth Optical Transmitter designed to extend Vectorial Network Analyzers applications into the optical domain.

When associated with a Vectorial Network Analyzer, they make up a high performance and easy to use test equipment for photoreceivers or any high speed optoelectronic device characterization.

The ModBox-VNA-850nm-40GHz incorporates an 852 nm low noise laser source and a modulation stage based on a wide bandwidth LiNbO₃ analog modulator with an automatic bias control circuit.

FEATURES

- Analog modulation up to 40 GHz
- dither-free bias controller
- Low RIN
- High harmonics suppression

APPLICATIONS

- Transmission system test
- Components characterization
- Receiver frequency test
- R&D laboratories

OPTIONS

- C, L, O bands operation
- Multi-Channel

Performance Highlights

Parameter	Min	Typ	Max
Operating wavelength	852 nm		
Modulation format	Analog Modulations		
Frequency	-	-	40 GHz
Modulated output power	5 dBm	-	-

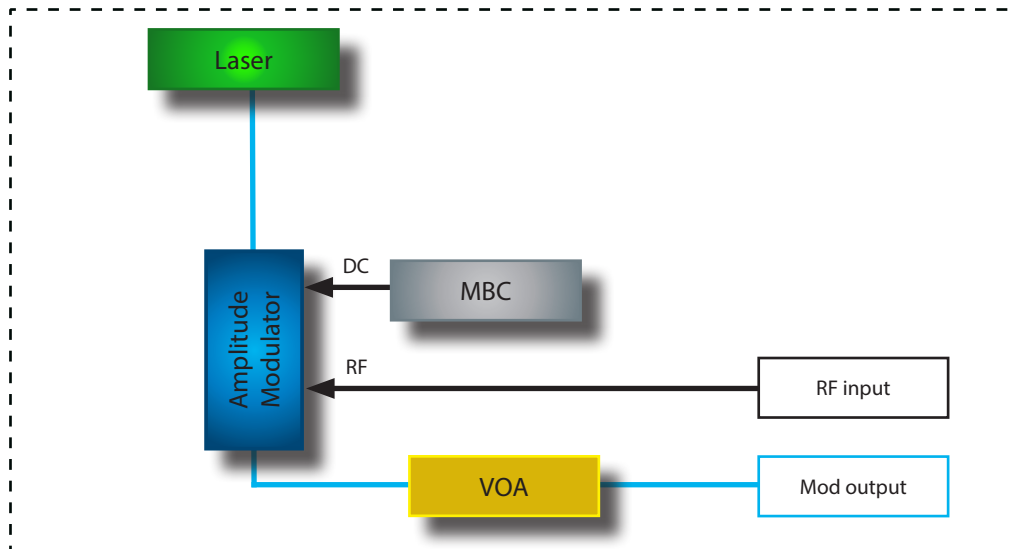
Ordering Information:



800 Village Walk #316
Guilford, CT 06437
Ph: 203-401-8093

Email orders to: sales@xsoptix.com
Fax orders to: 800-878-7282

Functional Block Diagram



The ModBox-VNA-850m-40GHz features:

- A chirp-free X-cut LiNbO₃ (Lithium Niobate) Mach-Zehnder modulator for very high linearity and very wide electro-optical bandwidth.
- A modulator bias controller. The internal LiNbO₃ modulator is a X-cut device with very low drift. However an automatic bias control circuit is provided to lock the operating point of the modulator at the quadrature point whatever the environmental conditions. The bias control circuit is dither free and therefore does not add any spurious content to the small signal modulation generated by the VNA. It is pre-set for operation in quadrature, in the linear portion of the modulator transfer curve.
- An 852 nm low RIN laser. Wavelength and power are tunable through the front panel controls or the ModBox software interface.
- A Variable Optical Attenuator (VOA) to precisely control the modulated optical output signal.

Input Electrical Specifications User supplied, not a ModBox specification

Parameter	Symbol	Condition	Min	Typ	Max	Unit
Input electrical termination	-	AC coupled	Single ended			-
Signal type	-	-	Analog			-
Input voltage ⁽¹⁾	V_{IN}	Amplitude Modulation	0.4	0.6	1	Vpp
Bandwidth	BW	-	-	-	50	GHz
Impedance matching	Z_{IN-RF}	-	-	50	-	Ω

(1): The ModBox-VNA-850nm-40GHz does not feature an internal RF amplifier. The VNA characterization is usually performed in a “small signal mode”, therefore a RF amplifier is not necessary. Omitting the amplifier allows to obtain a smoother and flatter transfer function.

Output Optical Specifications Specifications below are given with embedded 852 nm laser.

Parameter	Symbol	Condition	Min	Typ	Max	Unit
Modulation Frequency	-	-	-	-	40	GHz
Wavelength	λ	Embedded by default	-	852	-	nm
Wavelength laser tuning range	$\Delta\lambda$	Diode chip temperature control	-	0.8	1	nm
Maximum modulated output power	OP_{OUT}	-	5	6	-	dBm
Optical output power range adjustment	ΔOP_{OUT}	By the use of the VOA	-40	-	0	dB
Optical output power range stability	δOP_{OUT}	Over 12 hours	-	-	1	%rms
Spectrum linewidth	$\delta\lambda$	FWHM	-	3	15	MHz
Relative Intensity Noise	RIN	16 dBm	-	-	-163	dB/Hz
Optical return loss	ORL	-	-40	-	-	dB
Electrical return loss	ERL	-	-	-12	-10	dB

Absolute Maximum Ratings

Parameter	Symbol	Min	Max	Unit
RF input power	EP_{in}	-	28	dBm

Interfaces, Dimensions and Compliance

Interfaces	
Optical connectors and fibers	(FC-SC)/(APC) - Polarization maintaining fiber Corning PM 85-U25D
Electrical connector	V female (1.85 mm)
Control	Embedded Interface (front panel touchscreen) + Remote control (Ethernet)
Power supply	100-120V/220-240 automatic switch 50-60Hz (Rear panel)
EMC / Optical norms	EN61326-1 Ed. 2006 / EN 60625-1
Dimensions / Weight	Rack 19" x 2U, Depth=495mm / 5 kg



Ordering information

ModBox-VNA-850nm-40GHz-XX

VNA = Optical Vectorial Network Analyser extension

850nm = embeds laser, 852 nm

40GHz = Analog Modulation up to 40 GHz

XX = Output connectors, FA : FC/APC - SA : SC/APC

About us

ixblue Photonics produces specialty optical fibers and Bragg gratings based fiber optics components and provides optical modulation solutions based on the company lithium niobate (LiNbO₃) modulators and RF electronic modules.

ixblue Photonics serves a wide range of industries: sensing and instruments, defense, telecommunications, space and fiber lasers as well as research laboratories all over the world.